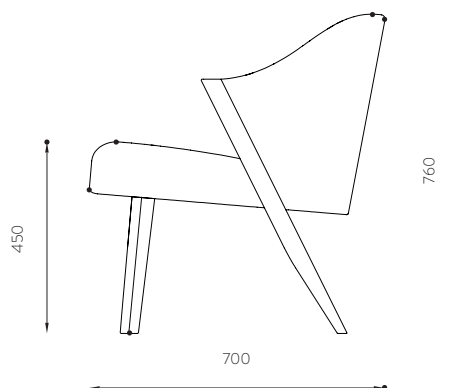
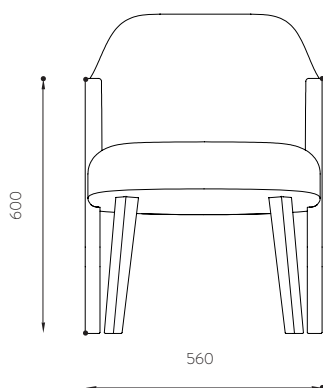


CARAVELA LOUNGE CHAIR

by GONÇALO CAMPOS



Caravela is a comfortable lounge chair crafted with traditional techniques of joinery. It is part of a family of chairs inspired by a highly manoeuvrable sailing ship developed in the 15th century by the Portuguese sailors to explore along the West African coast and into the Atlantic Ocean.



DIMENSIONS

W 560 H 760 D 700 | 0.31M³

REFERENCES

- CD.GC003C OAK CLASSIC FABRIC
- CD.GC003CTC OAK CLIENT FABRIC
- CD.GC003CP OAK PREMIUM FABRIC
- CD.GC003N WALNUT CLASSIC FABRIC
- CD.GC003NTC WALNUT CLIENT FABRIC
- CD.GC003NP WALNUT PREMIUM FABRIC