

**GA
LULA®**

Grão collection



galulastudio.com

**FOR NON-BORING
SPACES!**

Grão



Product Features

Product Type

Coffee, center
and side table

Environment

Interior

By aligning cork and steel together, the Grão collection juxtaposes natural elements with industrial structure. These robust materials work in balance with one another, as shown by striking and angular legs acting as a foundation for the smooth tabletop surface, resulting in a stylish yet timeless objects. The Grão collection is available in both expanded and light cork, with black and white options for the steel legs. This versatile design makes for a comfortable fit within a wide range of environments.

Design by Mendes Macedo

Made in Portugal

Grão #1



Expanded cork
Black matte legs
GGR_1DKBLK



Expanded cork
White matte legs
GGR_1DKWTE

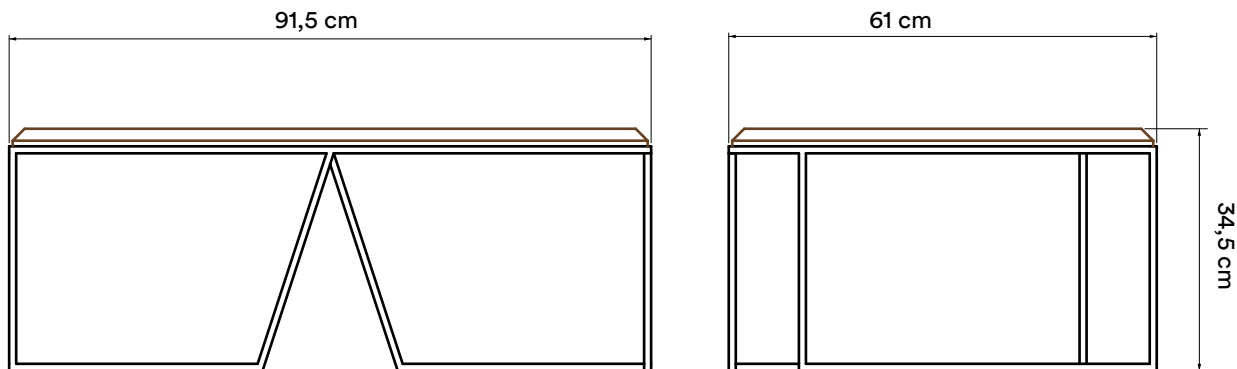


Light cork
Black matte legs
GGR_1LTBLK



Light cork
White matte legs
GGR_1LTWTE

Grão #1



Material

Expanded or light cork
Powder-coated steel

Weight

11 kg

Packaging Type

Box

Packaging Measurement

94 x 54 x 36 cm

Packaging Weight

12 kg

Care Instructions

Taking care of cork furniture is easy. Simply wipe the cork with a dampened cloth and make sure to remove any remaining moisture or spills with a dry cloth so they don't leave stains. Keep your furniture out of direct sunlight, as it can be brutal for the cork. To maintain the beautiful finish on your cork furniture, we also recommend avoiding cleaners with chemicals or harsh abrasives. Additionally, keep in mind that hot, cold or moist items will react with the cork surface and can expand the cork grain so avoiding any direct contact is crucial.

Cork as a natural material is subject to variations, therefore every single product is unique.

Grão #2



Expanded cork
Black matte legs
GGR_2DKBLK



Expanded cork
White matte legs
GGR_2DKWTE

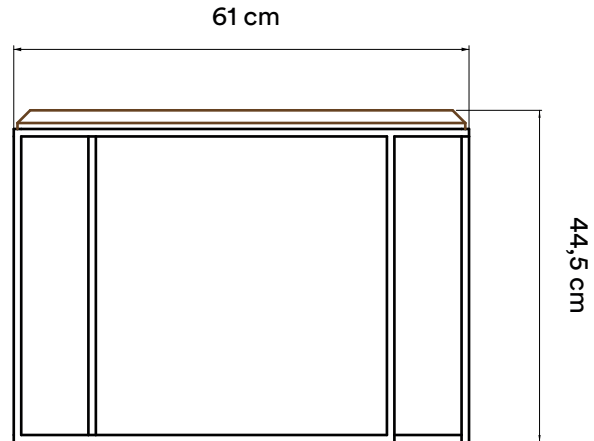
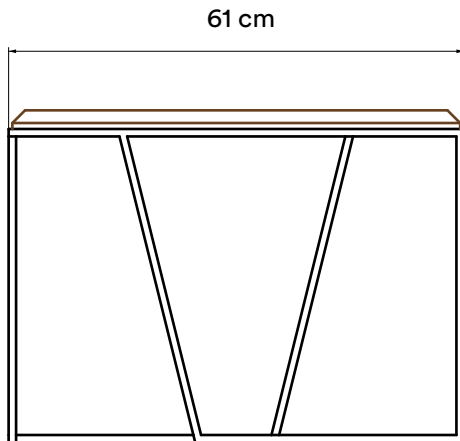


Light cork
Black matte legs
GGR_2LTBLK



Light cork
White matte legs
GGR_2LTWTE

Grão #2



Material

Expanded or light cork
Powder-coated steel

Weight

8 kg

Packaging Type

Box

Packaging Measurement

64 x 64 x 49 cm

Packaging Weight

9 kg

Care Instructions

Taking care of cork furniture is easy. Simply wipe the cork with a dampened cloth and make sure to remove any remaining moisture or spills with a dry cloth so they don't leave stains. Keep your furniture out of direct sunlight, as it can be brutal for the cork. To maintain the beautiful finish on your cork furniture, we also recommend avoiding cleaners with chemicals or harsh abrasives. Additionally, keep in mind that hot, cold or moist items will react with the cork surface and can expand the cork grain so avoiding any direct contact is crucial.

Cork as a natural material is subject to variations, therefore every single product is unique.

Grão #3



Expanded cork
Black matte legs
GGR_3DKBLK



Expanded cork
White matte legs
GGR_3DKWTE

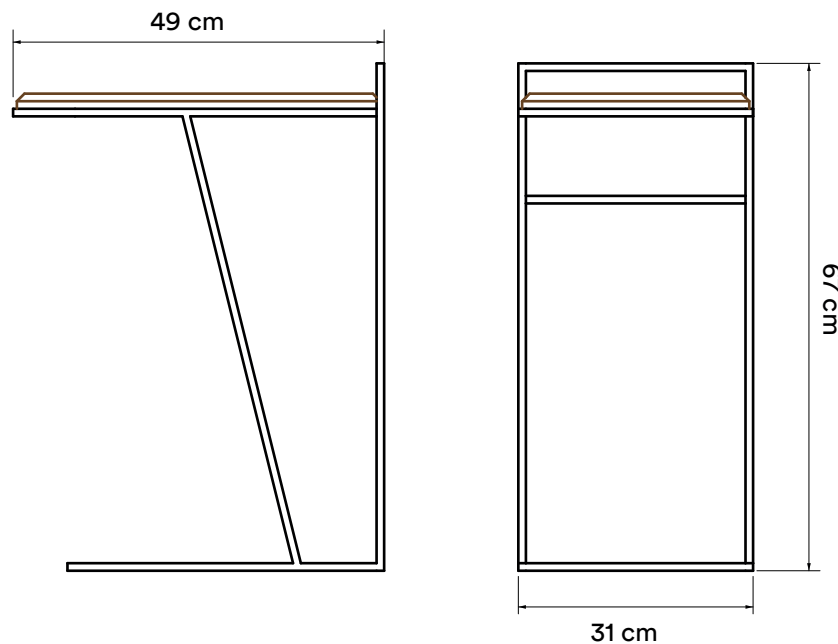


Light cork
Black matte legs
GGR_3LTBLK



Light cork
White matte legs
GGR_3LTWTE

Grão #3



Material

Expanded or light cork
Powder-coated steel

Weight

5 kg

Packaging Type

Box

Packaging Measurement

51 x 34 x 69 cm

Packaging Weight

6 kg

Care Instructions

Taking care of cork furniture is easy. Simply wipe the cork with a dampened cloth and make sure to remove any remaining moisture or spills with a dry cloth so they don't leave stains. Keep your furniture out of direct sunlight, as it can be brutal for the cork. To maintain the beautiful finish on your cork furniture, we also recommend avoiding cleaners with chemicals or harsh abrasives. Additionally, keep in mind that hot, cold or moist items will react with the cork surface and can expand the cork grain so avoiding any direct contact is crucial.

Cork as a natural material is subject to variations, therefore every single product is unique.