



Pega



Product Features

Product Type

Hook

Environment

Interior

The Pega Hook is a small geometric hook that celebrates the illusion of floatation. Available in light and expanded solid cork with a polished texture, this hook strikes the perfect balance between practicality and aesthetics. A space-saving solution that is available as a single unit or in a set of three. The Pega Hook can be placed alone to form a coat rack but also allows you to experiment with mixing to achieve an engaging wall pattern. Either way, this solid hanger will provide embellishment to any space.

Design by Mendes Macedo

Made in Portugal

Pega



Light cork
GPG_1LT



Light cork
GPG_3LT
(3 set)

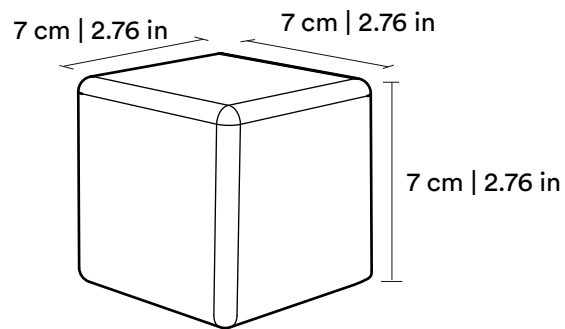


Expanded cork
GPG_1DK



Expanded cork
GPG_1DK
(3 set)

Pega

**Material**

Light or Expanded
Solid Cork

maximum weight per hook

5 kg

Weight

1 - 100 gr
3 set - 300 gr

Care Instructions

Use a soft dry cloth to clean.
Avoid direct contact of the objects in the sun for a very long time.

Packaging Type

Giftbox

Packaging Measurement

1 - 8 x 8 x 8 cm
3 set - 8 x 8 x 24 cm

Packaging Weight

1 - 200 gr
3 set - 400 gr