



Sino



Product Features

Product Type

Pendant
Lamp

Environment

Interior

This charming and engaging luminaire crafted from the durable cork will provide a soft, pleasant and natural source of light. The cone-shaped structure of the Sino Pendant Lamp comes in two different finishes – light and expanded cork – and the textile cord colours vary from blue and black to yellow and red. Due to the simplistic and timeless design, The Sino Pendant Lamp is well suited for a hotel lobby, office reception or any room of a home.

**Design by Mendes Macedo
Made in Portugal**

Sino #1



Light Cork
Blue textile cable
G_SIN1_LBLU
G_SIN1_LBLUB (with bulb)



Light Cork
Yellow textile cable
G_SIN1_LYEL
G_SIN1_LYELB (with bulb)



Light Cork
Black textile cable
G_SIN1_LBLK
G_SIN1_LBLKB (with bulb)



Light Cork
Red textile cable
G_SIN1_LRED
G_SIN1_LREDB (with bulb)



Expanded Cork
Blue textile cable
G_SIN1_DBLU
G_SIN1_DBLUB (with bulb)



Expanded Cork
Yellow textile cable
G_SIN1_DYEL
G_SIN1_DYELB (with bulb)

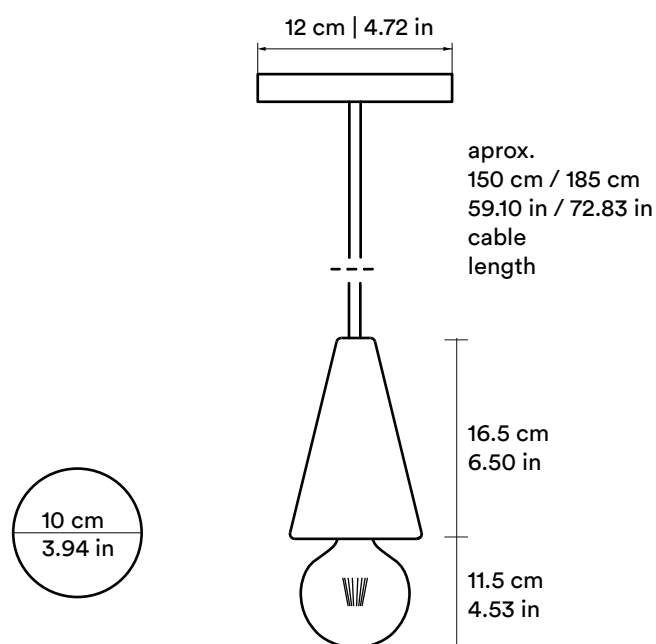


Expanded Cork
Black textile cable
G_SIN1_DBLK
G_SIN1_DBLKB (with bulb)



Expanded Cork
Red textile cable
G_SIN1_DRED
G_SIN1_DREDB (with bulb)

Sino #1



Material

Solid Light or Expanded Cork
Textile electric cable

Weight

without bulb - 0,32 kg
with bulb - 0,45 kg

Light Specification

Lumen, Kelvin and Ra Value depends on which bulb is used.

Light Source & Energy Efficiency Class

E27. Compatible with bulbs of the energy classes: A++ to A

Bulb (optional)

Globe A+ 4W 2200K

Voltage (V)

220V

galulastudio.com

Classification

CE and IP20

Packaging Type

Giftbox

Packaging Measurement

without bulb - 16 x 11 x 30 cm
with bulb - 21,8 x 21,8 x 21 cm

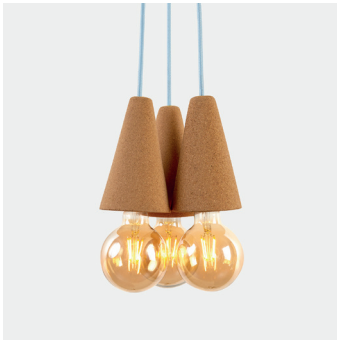
Packaging Weight

without bulb - 0,58 kg
with bulb - 0,71 kg

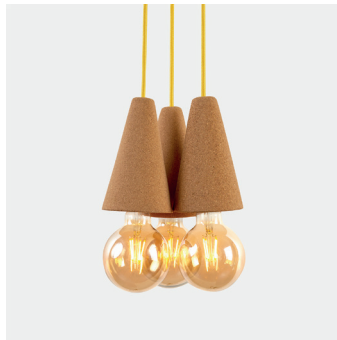
Care Instructions

Use a soft dry cloth to clean. Do not use any cleaners with chemicals or harsh abrasives.

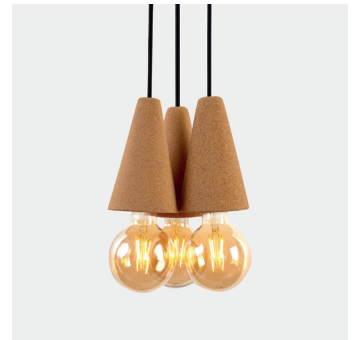
Sino #3



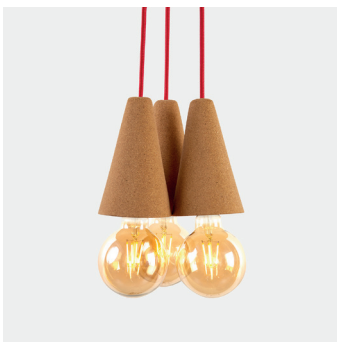
Light Cork
Blue textile cable
G_SIN3_LBLU
G_SIN3_LBLUB (with bulb)



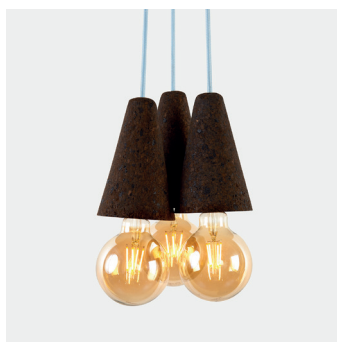
Light Cork
Yellow textile cable
G_SIN3_LYEL
G_SIN3_LYELB (with bulb)



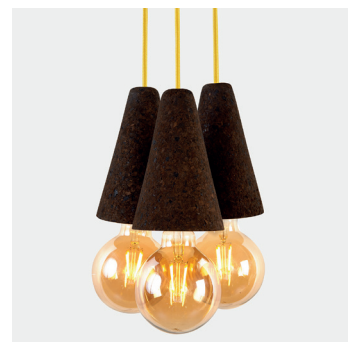
Light Cork
Black textile cable
G_SIN3_LBLK
G_SIN3_LBLKB (with bulb)



Light Cork
Red textile cable
G_SIN3_LRED
G_SIN3_LREDB (with bulb)



Expanded Cork
Blue textile cable
G_SIN3_DBLU
G_SIN3_DBLUB (with bulb)



Expanded Cork
Yellow textile cable
G_SIN3_DYEL
G_SIN3_DYELB (with bulb)

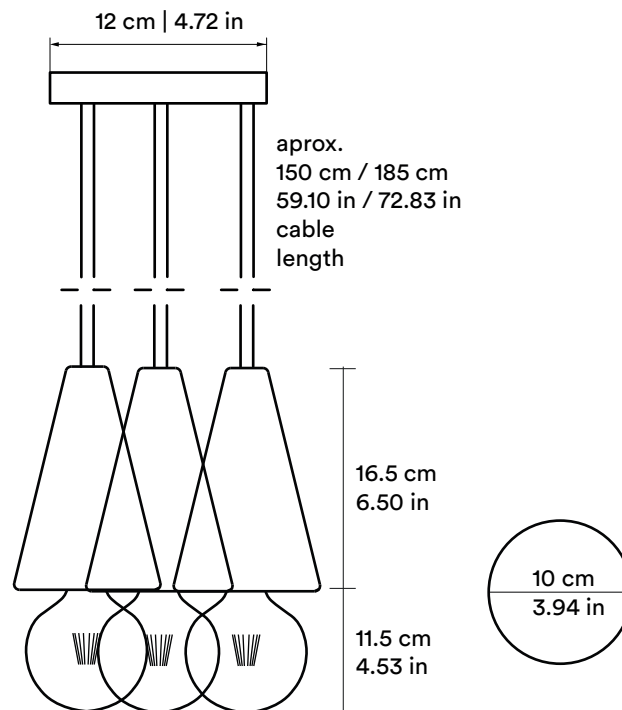


Expanded Cork
Black textile cable
G_SIN3_DBLK
G_SIN3_DBLKB (with bulb)



Expanded Cork
Red textile cable
G_SIN3_DRED
G_SIN3_DREDB (with bulb)

Sino #3



Material

Solid Light or Expanded Cork
Textile electric cable

Weight

without bulb - 0,95 kg
with bulb - 1,32 kg

Light Specification

Lumen, Kelvin and Ra Value depends on which bulb is used.

Light Source & Energy Efficiency Class

E27. Compatible with bulbs of the energy classes: A++ to A

Bulb (optional)

Globe A+ 4W 2200K

Voltage (V)

220V

galulastudio.com

Classification

CE and IP20

Packaging Type

Giftbox

Packaging Measurement (cm)

without bulb - 21,8 x 21,8 x 21 cm
with bulb - 33 x 23 x 35 cm

Packaging Weight

without bulb - 1,2 kg
with bulb - 1,6 kg

Care Instructions

Use a soft dry cloth to clean. Do not use any cleaners with chemicals or harsh abrasives.