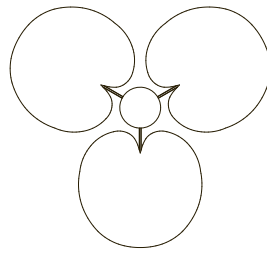


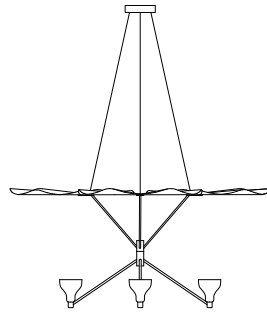
HANGING LAMP, CALLA



101 cm
39 3/4"

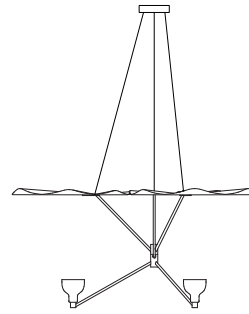
110 cm
43 1/4"

101 cm
39 3/4"





150 cm
59"

42 cm
16 1/2"



INDOOR

 2.5 kg / 6 lbs

 4 kg / 9 lbs

 0.09 m³

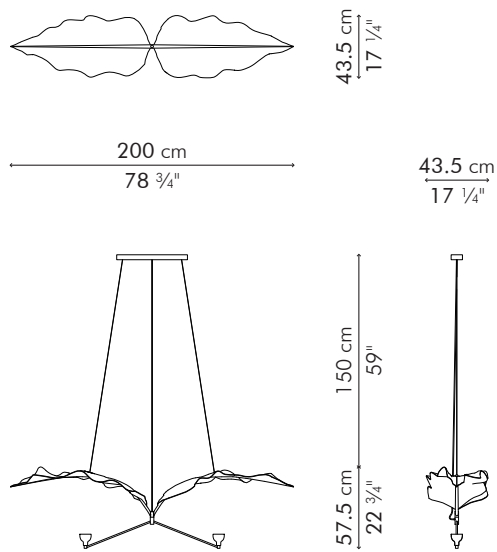
Surface mounted pre wired lamp
GU10
3 x 40W max
110V - 230V

INDOOR fiber-reinforced polymer, brass

White

LHFGC-WB-4316

HANGING LAMP, PALMA



INDOOR

 5.5 kg / 12 lbs

 8.5 kg / 19 lbs

 0.12 m³

Surface mounted pre wired lamp
GU10
2 x 40W max
110V - 230V

INDOOR fiber-reinforced polymer, brass

White

LHFGP-WB-7822