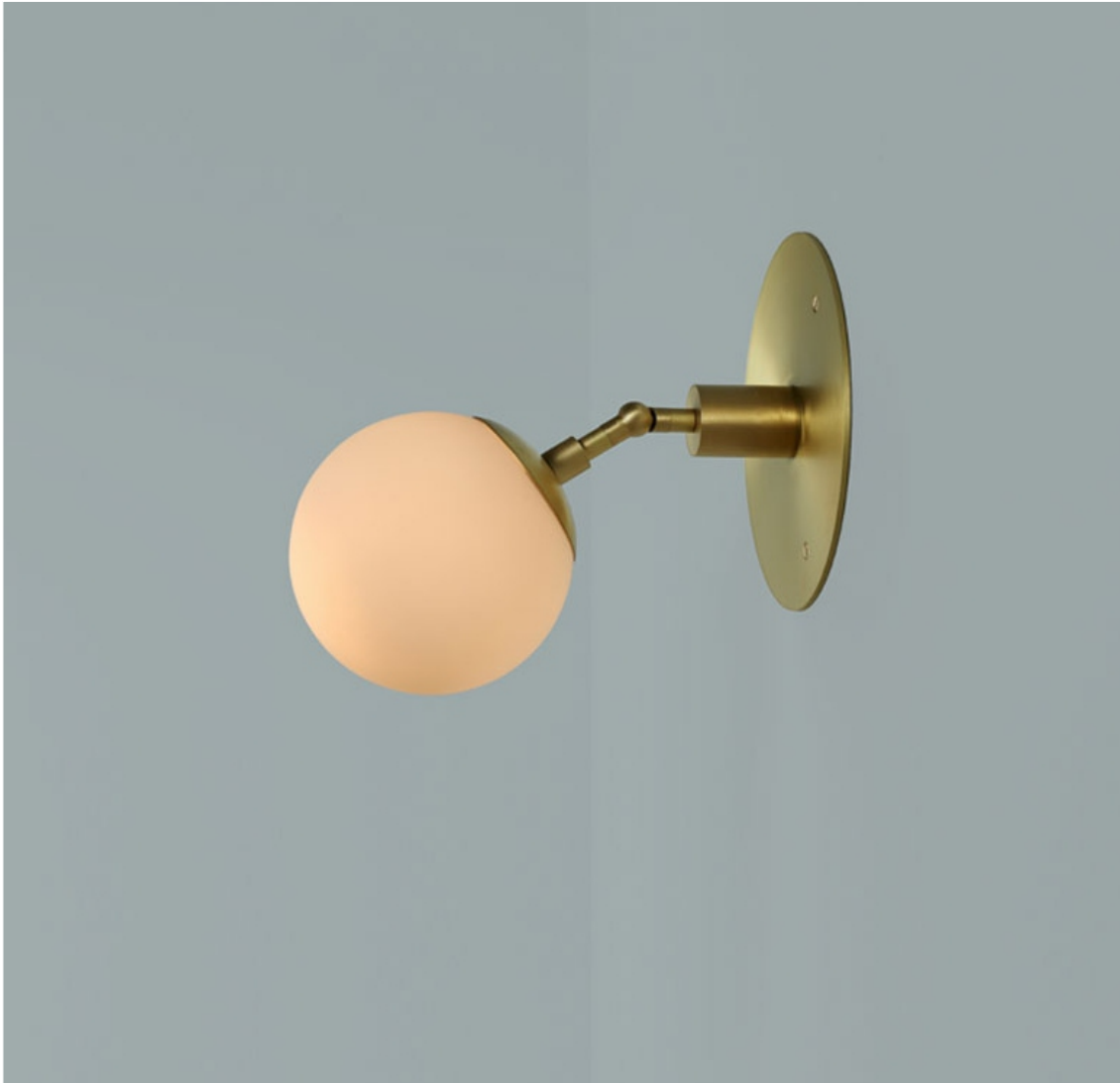


LAMP SHAPER

FLY (Wall Sconce)



The Fly series was Inspired by Birds Flying and this series used basic geometric forms, and then invented a sculptural form with hand-worn materials, and all products is follow the same process and each product in the family, like Pendant, Desk Lamp, Floor Lamp, Ceiling light and Wall Sconce .

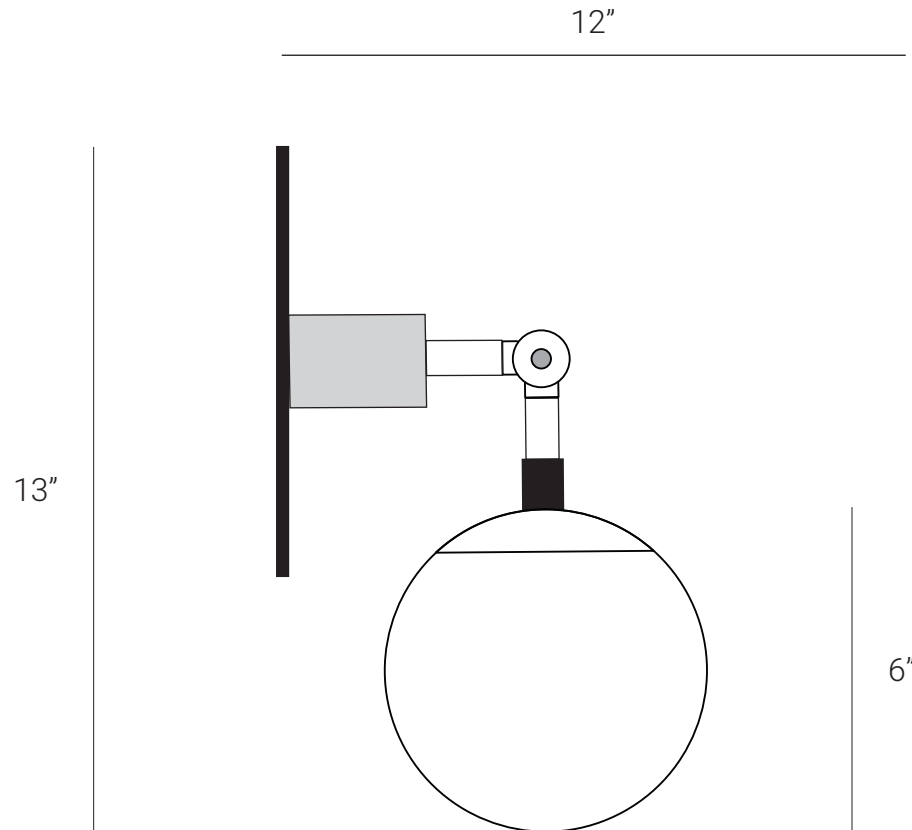
HANDMADE IN INDIA

WWW.LAMPSHAPER.COM

INFO@LAMPSHAPER.COM

LAMP SHAPER

PRODUCT SPECIFICATION



Series: FLY

Product: WALL SCONCE

Design: 2020

Product Code: LSFWSGG

Product Weight: 1KG

Dimension: H-13", W-12", D-8"

Led Bulb Illumination: SOCKET BASE-E27,
(3-9)W LED, COLOR TEMPERATURE, (2700-3000)
KELVIN, VOLTAGE (220-240), CE APPROVED

DIMMABLE : NO

Material: BRASS AND GLASS

Finishes: BRUSHED BRASS, RAW BRASS, AGED
BRASS, BURNT BRASS

Lead Time Approx: 5-6 WEEKS

FINISHED & ASSEMBLED BY HAND

ALL PIECES MADE TO ORDER

CUSTOMIZATION AVAILABLE