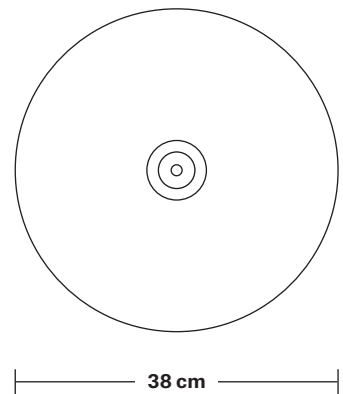
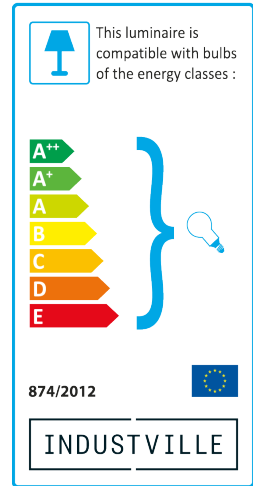
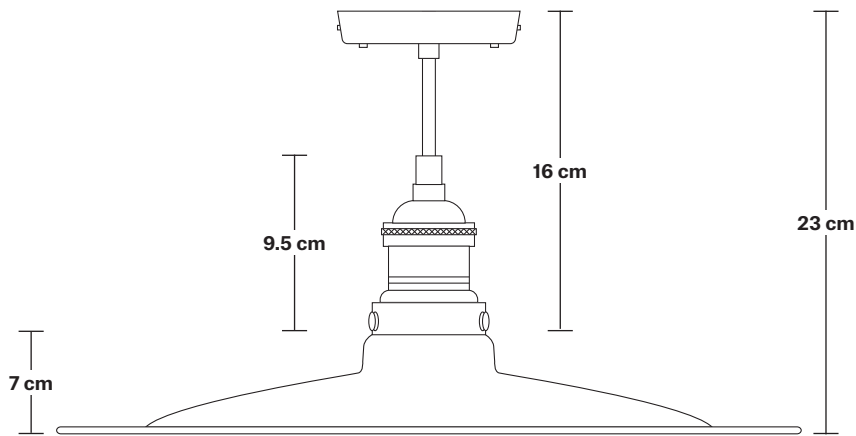


# Brooklyn Flat Flush Mount - 15 Inch

Product Code: BR-FFM15

H: 23 cm x W: 38 cm x D: 38 cm



## SPECIFICATIONS

We meet all UK and EU lighting and safety regulations.

Our products are hand finished to ensure an authentic vintage look and therefore they may vary slightly from those shown in the images.

**Bulb required:** Standard screw (E27) fitting, max 40W.

**Shade weight:** 0.9 kg | **Holder weight:** 0.5 kg

**Maximum weight:** 1.4 kg

## INFORMATION

**Finishes:** Brass, Pewter and Copper.

Ready to be installed, installation required.

Wall mount screws not included.

**Holders available:** Brass, Pewter and Copper.

## DIMENSIONS

Shade Diameter: 38 cm / 15"

Shade Height (no holder): 7 cm / 2.8"

Holder Diameter: 6 cm / 2.5"

Holder Height: 18 cm / 7.1"

Ceiling Rose Diameter: 12 cm / 4.9"

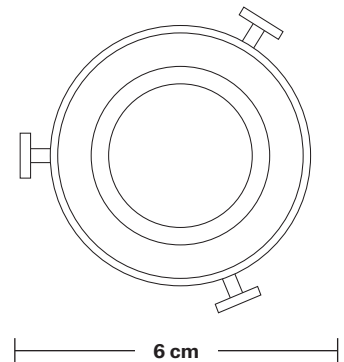
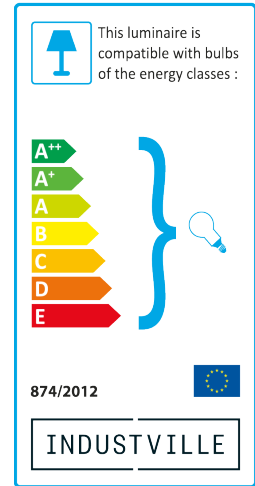
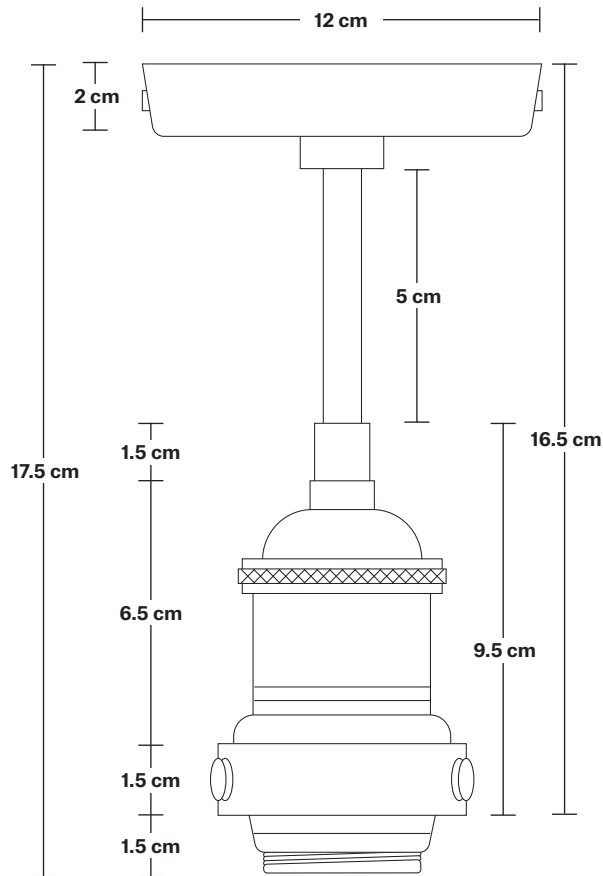
Ceiling Rose Height: 2 cm / 0.8"

INDUSTVILLE

# Brooklyn Flush Mount Holder

Product Code: BR-FM

H: 17.5 cm x W: 12 cm x D: 12 cm



## SPECIFICATIONS

We meet all UK and EU lighting and safety regulations.

Our products are hand finished to ensure an authentic vintage look and therefore they may vary slightly from those shown in the images.

**Bulb required:** Standard screw (E27) fitting, max 40W.

**Weight:** 0.5 kg

## INFORMATION

**Finishes:** Brass, Pewter and Copper.

Ready to be installed, installation required.

Wall mount screws not included.

**Ceiling rose:** Pewter.

## DIMENSIONS

Holder Diameter: 12 cm / 4.7"

Holder Height: 17.5 cm / 6.9"

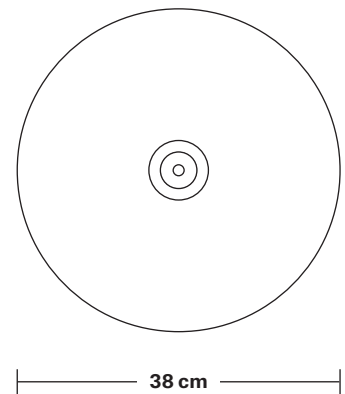
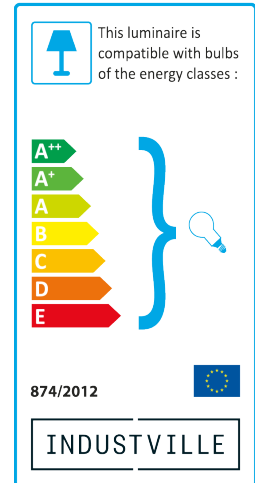
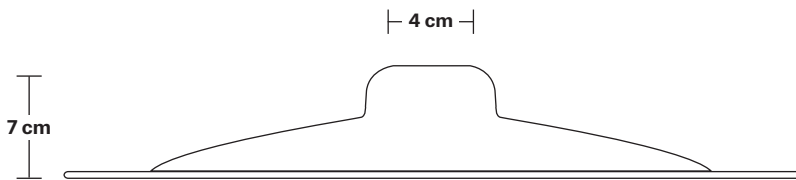
Ceiling Rose Diameter: 12 cm / 4.7"

Ceiling Rose Depth: 2 cm / 0.8"

# Flat- 15 Inch - Shade Only

Product Code: F15-SO

H: 7 cm x W: 38 cm x D: 38 cm



## SPECIFICATIONS

We meet all UK and EU lighting and safety regulations.

Our products are hand finished to ensure an authentic vintage look and therefore they may vary slightly from those shown in the images.

**Bulb required:** Standard screw (E27) fitting, max 40W.

**Shade weight:** 0.9 kg

## INFORMATION

**Finishes:** Brass, Pewter and Copper.

Ready to be installed, installation required.

Wall mount screws not included.

## DIMENSIONS

Shade Diameter: 38 cm / 15"

Shade Height (no holder): 7 cm / 2.8"

INDUSTVILLE

# Flat - 15 Inch - Copper

## Shade Only

Flat - 15 Inch - Copper - Shade Only	<b>F15-C-SO</b>
--------------------------------------	-----------------

## Brooklyn Flat Pendant - 15 Inch - Copper

Brooklyn Flat Pendant - 15 Inch - Copper - Pewter Holder	<b>BR-FP15-C-PH</b>
--	---------------------

Brooklyn Flat Pendant - 15 Inch - Copper - Copper Holder	<b>BR-FP15-C-CH</b>
--	---------------------

Brooklyn Flat Pendant - 15 Inch - Copper - Pewter Chain Holder	<b>BR-FP15-C-PCN</b>
--	----------------------

## Brooklyn Flat Flush Mount - 15 Inch - Copper

Brooklyn Flat Flush Mount - 15 Inch - Copper - Pewter Holder	<b>BR-FFM15-C-PH</b>
--	----------------------

Brooklyn Flat Flush Mount - 15 Inch - Copper - Copper Holder	<b>BR-FFM15-C-CH</b>
--	----------------------

## Sleek Flat Pendant - 15 Inch - Copper

Sleek Flat Pendant - 15 Inch - Copper - Pewter Holder	<b>SL-FP15-C-PH</b>
---	---------------------

Sleek Flat Pendant - 15 Inch - Copper - Copper Holder	<b>SL-FP15-C-CH</b>
---	---------------------