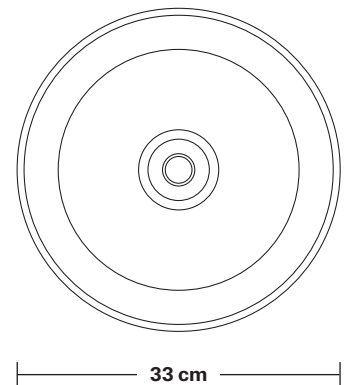
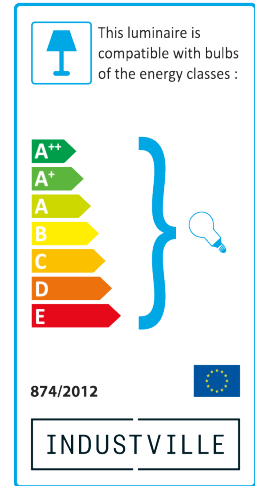
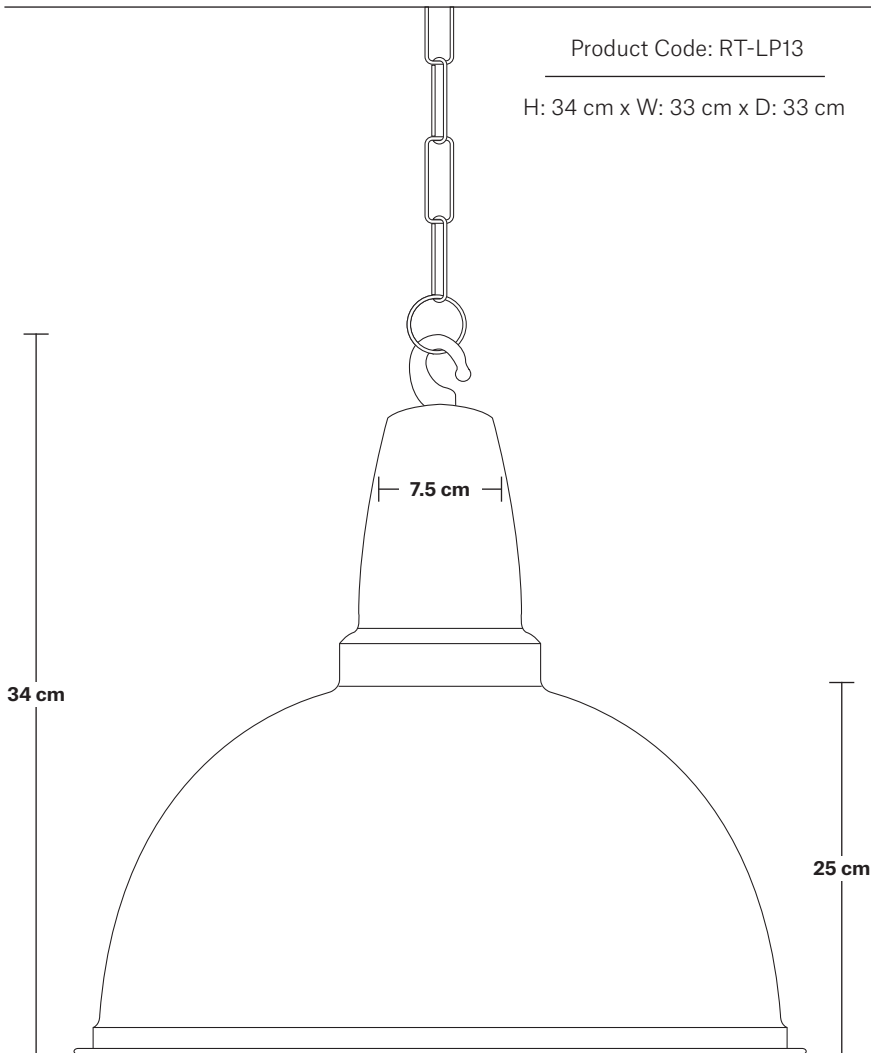


# Retro Large Pendant - 13 Inch

Product Code: RT-LP13

H: 34 cm x W: 33 cm x D: 33 cm



## SPECIFICATIONS

We meet all UK and EU lighting and safety regulations.

Our products are hand finished to ensure an authentic vintage look and therefore they may vary slightly from those shown in the images.

**Bulb required:** Standard screw (E27) fitting, max 40W.

**Shade weight:** 0.54 kg | **Holder weight:** 0.6 kg

**Maximum weight:** 1.14 kg

## INFORMATION

**Finishes:** Pewter.

Ready to be installed, installation required.

Wall mount screws not included.

**Holders available:** Pewter.

**Flex:** 1m Black Round Plastic Flex and 1m Chain.

**Ceiling rose:** Pewter.

## DIMENSIONS

Shade Diameter: 33 cm / 13"

Shade Height (no holder): 34 cm / 13.4"

Holder Diameter: 5 cm / 2"

Holder Height: 6 cm / 2.4"

Ceiling Rose Diameter: 13 cm / 5.1"

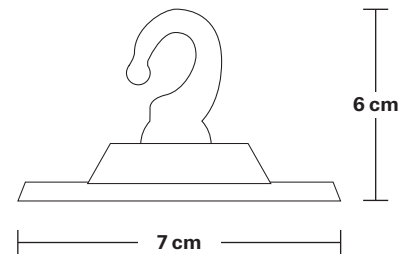
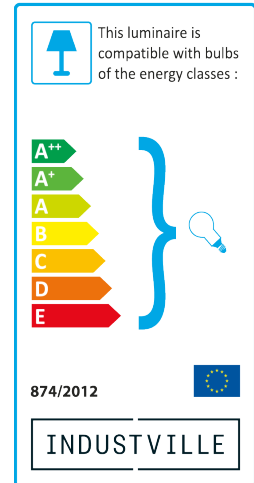
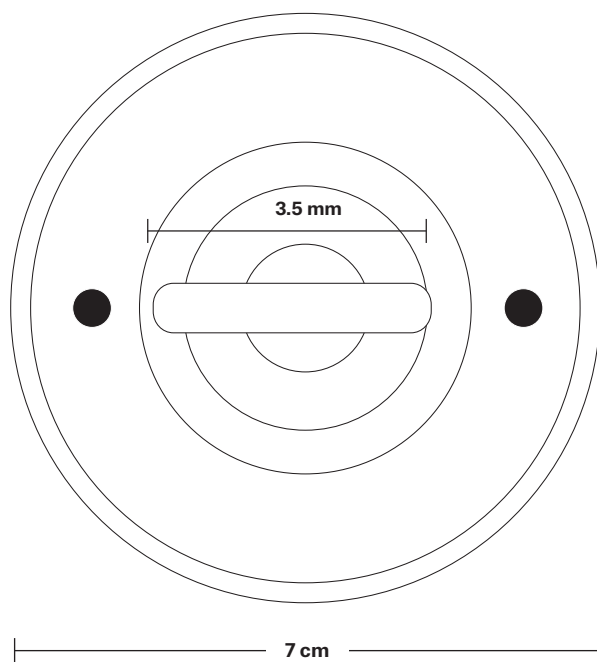
Ceiling Rose Height: 7 cm / 2.8"

INDUSTVILLE

# Edison Hook Ceiling Rose - 1 Outlet

Product Code: ED-HKCR10

H: 6 cm x W: 7 cm x D: 7 cm



## SPECIFICATIONS

We meet all UK and EU lighting and safety regulations.

Our products are hand finished to ensure an authentic vintage look and therefore they may vary slightly from those shown in the images.

**Bulb required:** Standard screw (E27) fitting, max 40W.

**Weight:** 0.1 kg

## INFORMATION

**Finishes:** Brass, Light Pewter and Copper.

Ready to be installed, installation required.

Wall mount screws not included.

## DIMENSIONS

Ceiling rose diameter: 7 cm / 2.9"

Ceiling rose height: 6 cm / 2.4"

INDUSTVILLE

# Retro Large - 13 Inch - Pewter

---

## Shade Only

---

Large - 13 Inch - Pewter - Shade Only

**L13-P-SO**

---

## Retro Large Pendant - 13 Inch - Pewter

---

Retro Large Pendant - 13 Inch - Pewter - Pewter Hook Chain Holder

**RT-LP13-P-PHKCN**

---