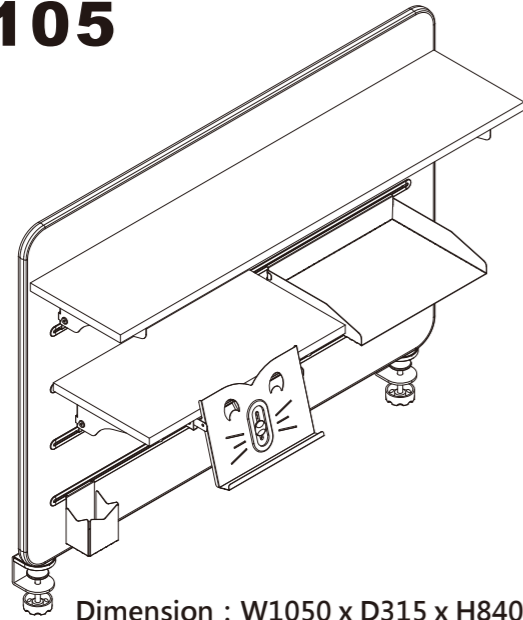


# KDH-105



Dimension : W1050 x D315 x H840mm  
MADE IN TAIWAN

