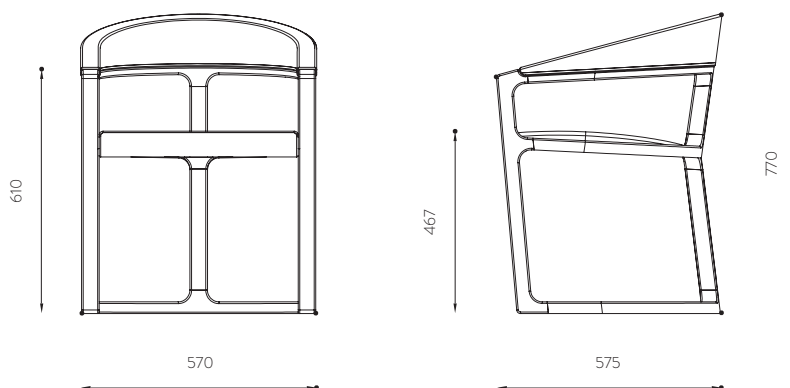


KOBE CHAIR

by DANIEL SOUSA



Kobe is a simple, yet interconnected chair with a solid wood frame, that is not only elegant and comfortable but also stable and robust, ideal both for domestic and contract use. Based on the Japanese aesthetic concept of Bi (totality in details), this chair was designed to be perceived as a homogeneous object.



DIMENSIONS
W 570 H 770 D 575 | 0.25M³

REFERENCES
CD.DS001C OAK CLASSIC FABRIC
CD.DS001CTC OAK CLIENT FABRIC
CD.DS001CP OAK PREMIUM FABRIC
CD.DS001N WALNUT CLASSIC FABRIC
CD.DS001NTC WALNUT CLIENT FABRIC
CD.DS001NP WALNUT PREMIUM FABRIC