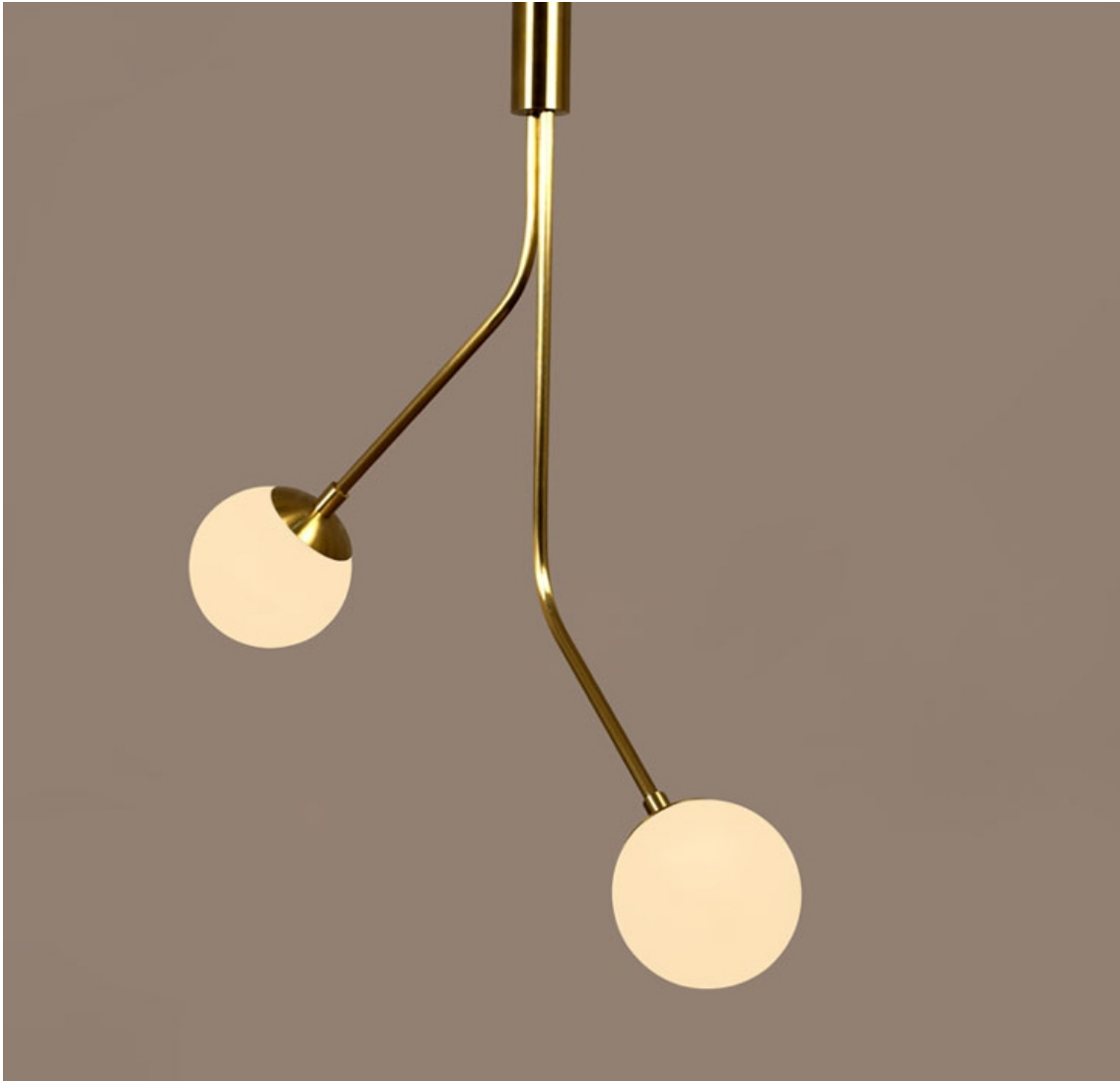


# LAMP SHAPER

---

## RHYTHM (Two Glass Globe)



Rhythm series is a very unique and playful experiment. Rhythm is suggested to movement or action and rhythm is usually achieved through repetition of lines, shapes, colors and more. We have used all things of this series and it creates a visual beautiful form that looks like sculpture and provides a path for the viewer's eye to follow. Rhythm is naturally of one, two, three and four linear arms that join into a vertical slender body and long arm can possibly rotate up to 360 degrees and other arms can rotate up to 350 degrees.

---

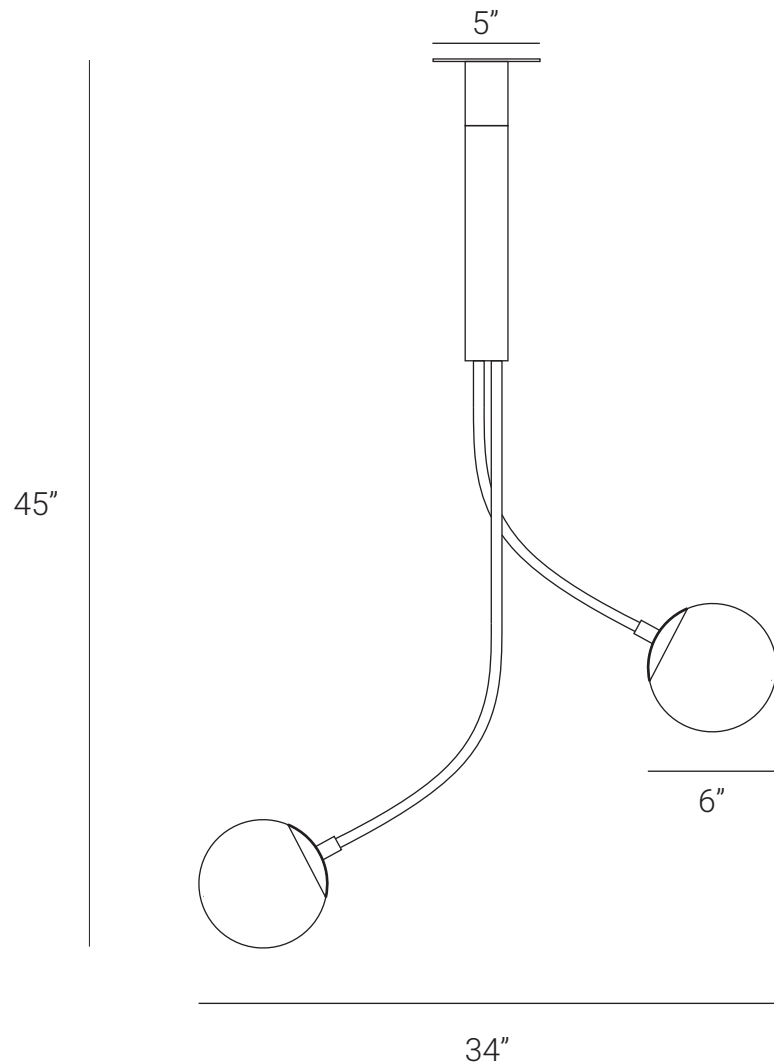
HANDMADE IN INDIA

[WWW.LAMPSHAPER.COM](http://WWW.LAMPSHAPER.COM)

[INFO@LAMPSHAPER.COM](mailto:INFO@LAMPSHAPER.COM)

# LAMP SHAPER

## PRODUCT SPECIFICATION



Series: RHYTHM

Product: CEILING LIGHT

Design: 2021

Product Code: LSR2GG

Product Weight: 4KG

Dimension: H-45", W-34", D-34"

Led Bulb Illumination: SOCKET BASE-E27,  
(3-9)W LED, COLOR TEMPERATURE, (2700-3000)  
KELVIN, VOLTAGE (220-240), CE APPROVED

DIMMABLE : NO

Material: BRASS AND GLASS

Finishes: BRUSHED BRASS, RAW BRASS, AGED  
BRASS, BURNT BRASS

Lead Time Approx: 5-6 WEEKS

FINISHED & ASSEMBLED BY HAND

ALL PIECES MADE TO ORDER

CUSTOMIZATION AVAILABLE