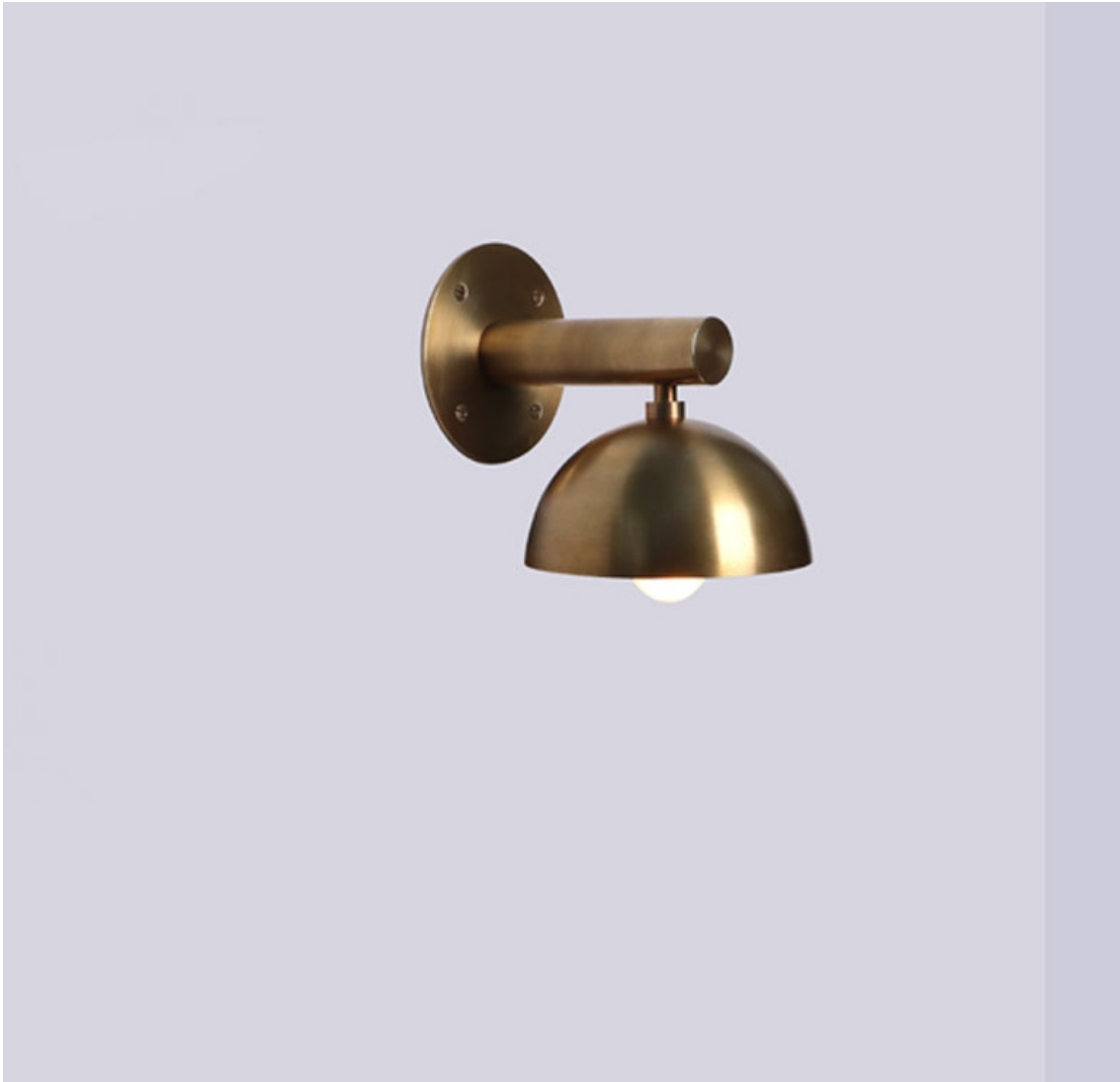


# LAMP SHAPER

---

## DOT (Wall Sconce)

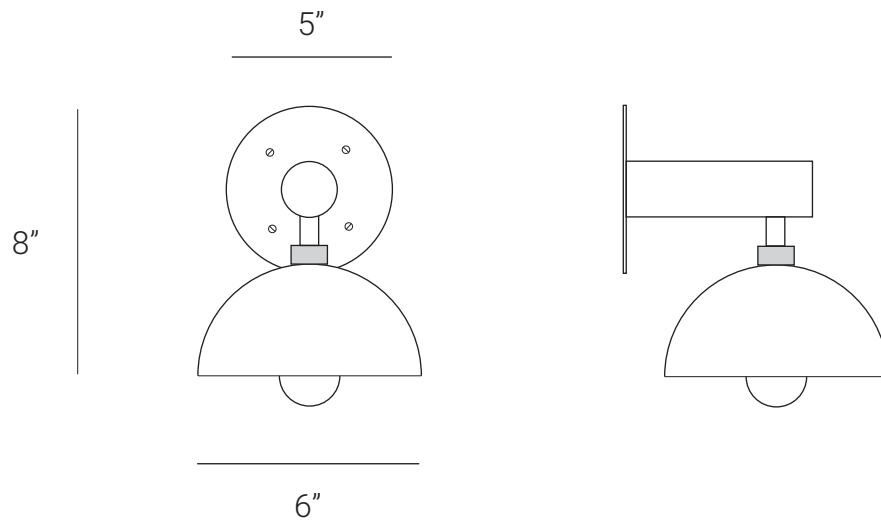


The dot series is inspired by linear earrings and this series is marvelous and simple. We have used geometry forms in this series, like cylinder, line and round shape and all shapes assemble with a linear line and create unique beautiful sculpture forms. We have used the old and modern technique in this series. We have created two structures of this series, a smaller one and another longer one.

# LAMP SHAPER

---

## PRODUCT SPECIFICATION



Series: DOT

Product: WALL SCONCE

Design: 2021

Product Code: LSDWSSBD

Product Weight: 1KG

Dimension: H-8", W-7.5", D-6"

Led Bulb Illumination: SOCKET BASE-E27,

40W INCANDESCENT, WARM WHITE

VOLTAGE (220-240), CE APPROVED

DIMMABLE : YES

Material: BRASS AND BRASS

Finishes: BRUSHED BRASS, RAW BRASS, AGED

BRASS, BURNT BRASS

Lead Time Approx: 5-6 WEEKS

FINISHED & ASSEMBLED BY HAND

ALL PIECES MADE TO ORDER

CUSTOMIZATION AVAILABLE