

# LAMP SHAPER

---

## FLY (Wall Sconce)



The Fly series was Inspired by Birds Flying and this series used basic geometric forms, and then invented a sculptural form with hand-worn materials, and all products is follow the same process and each product in the family, like Pendant, Desk Lamp, Floor Lamp, Ceiling light and Wall Sconce .

---

HANDMADE IN INDIA

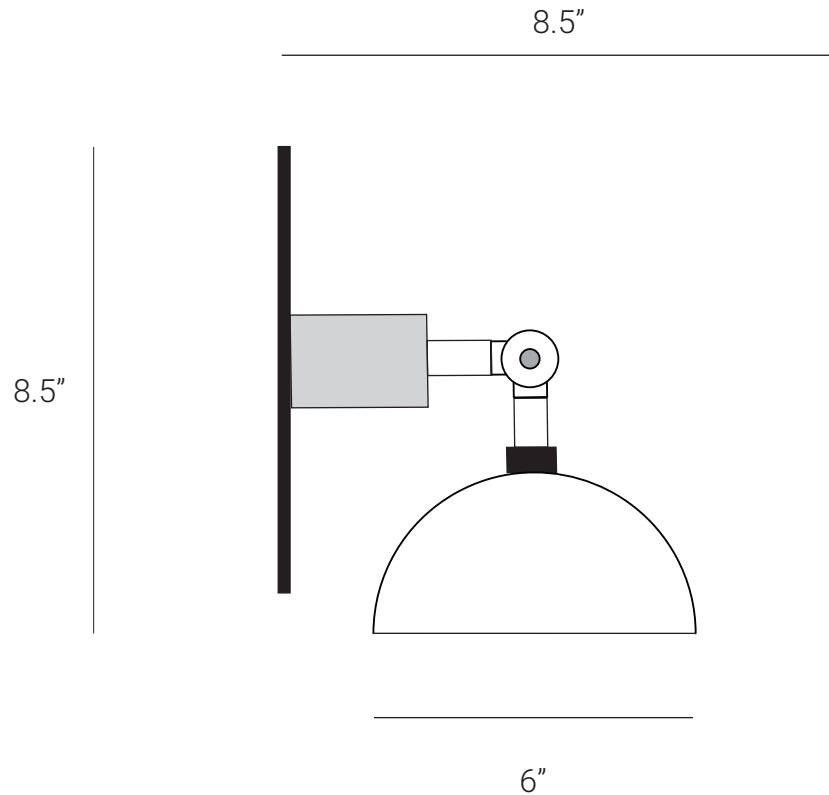
[WWW.LAMPSHAPER.COM](http://WWW.LAMPSHAPER.COM)

[INFO@LAMPSHAPER.COM](mailto:INFO@LAMPSHAPER.COM)

# LAMP SHAPER

---

## PRODUCT SPECIFICATION



Series: FLY

Product: WALL SCONCE

Design: 2020

Product Code: LSFWSBD

Product Weight: 1KG

Dimension: H-8.5", W-8.5", D-7"

Led Bulb Illumination: SOCKET BASE-E27,

40W INCANDESCENT, WARM WHITE

VOLTAGE (220-240), CE APPROVED

DIMMABLE : YES

Material: BRASS AND BRASS

Finishes: BRUSHED BRASS, RAW BRASS, AGED

BRASS, BURNT BRASS

Lead Time Approx: 5-6 WEEKS

FINISHED & ASSEMBLED BY HAND

ALL PIECES MADE TO ORDER

CUSTOMIZATION AVAILABLE

50% DEPOSIT IT REQUIRED

DUE BALANCE PRIOR TO SHIPPING