

# LAMP SHAPER

---

## DROP (Pendant Two)



The Drop series is a new range of contemporary lighting by Lamp Shaper. The Drop series is inspired by water drops. This series has a timelessness and simple design, it's perfect for enhancing a space and offering a warm and distinct feeling to an area. Drop series comprises pendants, chandeliers, wall sconce, table lamp and floor lamp.

---

HANDMADE IN INDIA

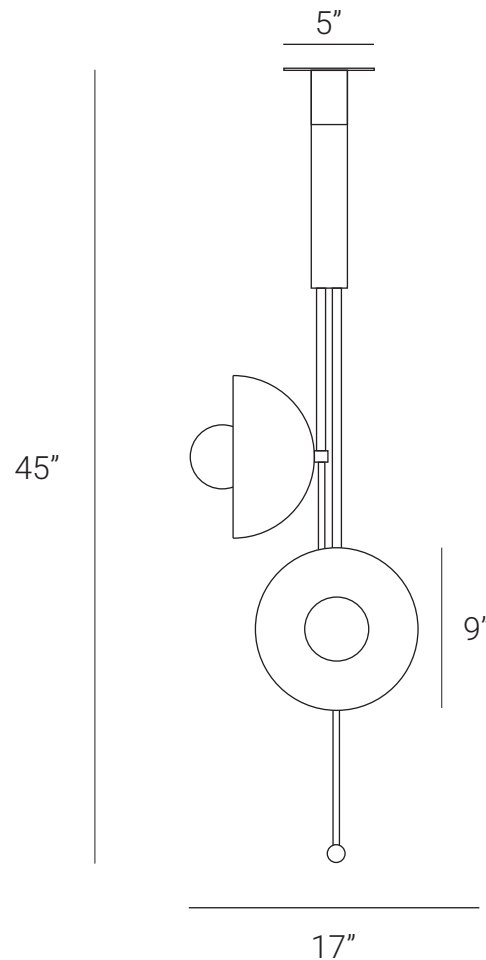
[WWW.LAMPSHAPER.COM](http://WWW.LAMPSHAPER.COM)

[INFO@LAMPSHAPER.COM](mailto:INFO@LAMPSHAPER.COM)

# LAMP SHAPER

---

## PRODUCT SPECIFICATION



Series: DROP

Product: PENDANT TWO

Design: 2022

Product Code: LSDP2

Product Weight: 4KG

Dimension: H-45", W-17", D-17"

Bulb Illumination: SOCKET BASE-E27,  
(5)W LED, COLOR TEMPERATURE, (3000)  
KELVIN, VOLTAGE (220-240), CE APPROVED

DIMMABLE : NO

Material: BRASS

Finishes: BRUSHED BRASS, RAW BRASS, AGED  
BRASS, BURNT BRASS

Lead Time Approx: 5-6 WEEKS

FINISHED & ASSEMBLED BY HAND

ALL PIECES MADE TO ORDER

CUSTOMIZATION AVAILABLE