

LAMP SHAPER

WING (Wall Sconce)



The Wing series is a timeless and playful experimentation. The series is composed of geometric forms. The Wing series stands out for its elegance and contemporary touch. Built on the principles of design, these are arrangements of linear arms, geometric light sources, reflective surfaces and balancing weights. The piece's arms rotate freely and delicately, creating an ever-changing light pattern unique to the space they occupy. The Wing series comprises Pendants, Wall Sconce, Desk Lamp and Floor Lamp.

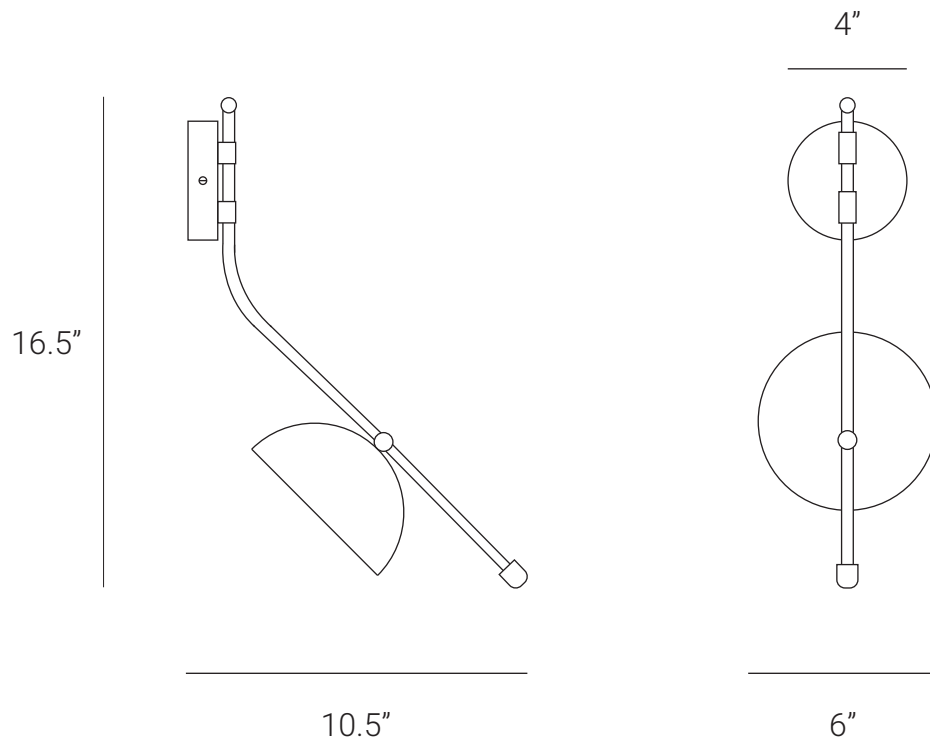
HANDMADE IN INDIA

WWW.LAMPSHAPER.COM

INFO@LAMPSHAPER.COM

LAMP SHAPER

PRODUCT SPECIFICATION



Series: WING

Product: WALL SCONCE

Design: 2022

Product Code: LSWWS

Product Weight: 0.5KG

Dimension: H-16.5", W-10.5", D-6"

Bulb Illumination: SOCKET BASE-E27,

40W INCANDESCENT, WARM WHITE

VOLTAGE (220-240), CE APPROVED

DIMMABLE : YES

Material: BRASS

Finishes: BRUSHED BRASS, RAW BRASS, AGED

BRASS, BURNT BRASS

Lead Time Approx: 5-6 WEEKS

FINISHED & ASSEMBLED BY HAND

ALL PIECES MADE TO ORDER

CUSTOMIZATION AVAILABLE