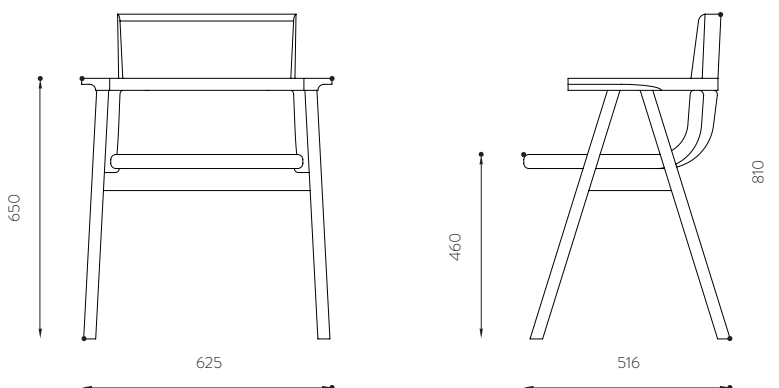


# PENSIL ARMCHAIR

by TOM KELLY



Pensil is a light, solid and comfortable armchair, that can be totally customized, combining the wood option with the fabric. It is part of a family of chairs inspired by the old bridge Pênsil in Porto.



## DIMENSIONS

W 625 H 810 D 516 | 0.26M<sup>3</sup>

## REFERENCES

**CD.TK002C** OAK CLASSIC FABRIC

**CD.TK002CTC** OAK CLIENT FABRIC

**CD.TK002CP** OAK PREMIUM FABRIC

**CD.TK002N** WALNUT CLASSIC FABRIC

**CD.TK002NTC** WALNUT CLIENT FABRIC

**CD.TK002NP** WALNUT PREMIUM FABRIC