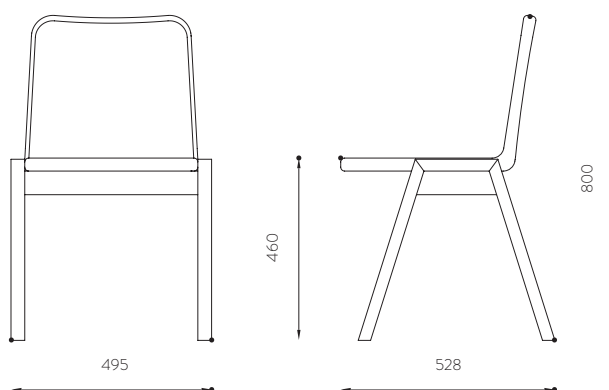


PENSIL CHAIR

by TOM KELLY



Pensil is a chair inspired by the beauty and strength of the old bridge Pênsil, replaced by the actual D. Luís bridge, in Porto. It has a sculptured wooden structure, created by using traditional techniques of woodworking and a soft seating.



DIMENSIONS

W 495 H 800 D 528 | 0.21M³

REFERENCES

CD.TK001C OAK CLASSIC FABRIC

CD.TK001CTC OAK CLIENT FABRIC

CD.TK001CP OAK PREMIUM FABRIC

CD.TK001N WALNUT CLASSIC FABRIC

CD.TK001NTC WALNUT CLIENT FABRIC

CD.TK001NP WALNUT PREMIUM FABRIC